

# Technological innovation

**Mixers and Taps** Ideal Standard leads the way through technological innovation to ensure fittings are easy to install and maintain, even in hard water or low pressure areas. Many of the great engineering advances in tap manufacture were originated by Ideal Standard. These include ceramic disc technology, which controls water flow and temperature with impeccable precision, single lever operations which offer smooth, temperature-controlled water, dual controls for mixer bodies, and quarter turn operations for taps.

## innovation

### 1 CLICK technology

The single lever basin mixer and bidet mixer incorporate a CLICK feature that encourages water saving – the user lifts the handle until they feel a slight resistance. This resistance informs the user that the fitting is delivering only 50% of its maximum flow potential. Lifting the handle further enables the fitting to deliver maximum flow. CLICK technology is available on Idyll Two, Ceramix, Ceraplan and Melange.



### 3 Ceramic Disc technology

The multi-port cartridge brings a unique feature for easy temperature control. A single lever controls the pressure and temperature within a unique comfort zone, between 30-45°C. This gives more sensitive control and provides smooth effortless handle operation even at high pressures. See fig. 1-4 above right.

## innovation

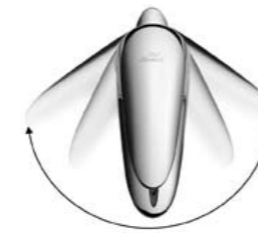


Fig. 1 Full arc of lever



Fig. 2 Comfort zone



Fig. 3 Hot



Fig. 4 Cold

### Thermostatic control

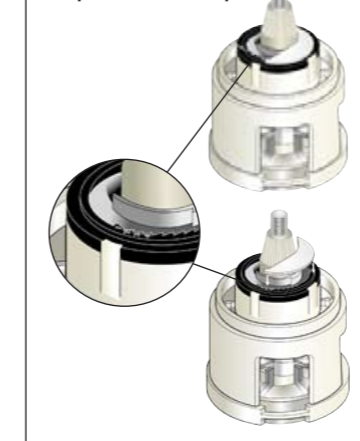
The Cool Body innovation ensures the fitting remains safe to touch, whilst Thermostatic control ensures that water temperature is maintained for total comfort and safety. This means you and your children are safe regardless of any changes in water usage elsewhere in the home. Available on Melange and Active.

### 2 Temperature limit stop

The Temperature Limit Stop can be pre-set in any of four positions to provide extra safety. The safety stop feature on all single lever models limits the mixer delivering water in a fully opened hot position.



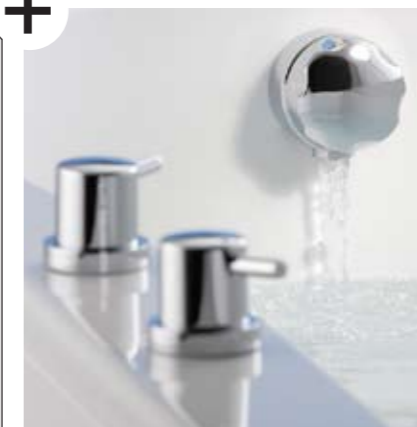
### Temperature limit stop



## design

### Idealfill

A new concept in bath filling, Idealfill fittings may be mounted on or around the bath or on the wall, independently of the filler, without the need for a conventional spout. The water comes from the combined filler and overflow. This enables you to turn the water on and off from a convenient place without having to stretch around a shower screen or alcove. Idealfill is a low pressure product and will work with the majority of domestic systems delivering 23 litres of water per minute – faster than any other bath filling system. Currently available in Cone or Silver.

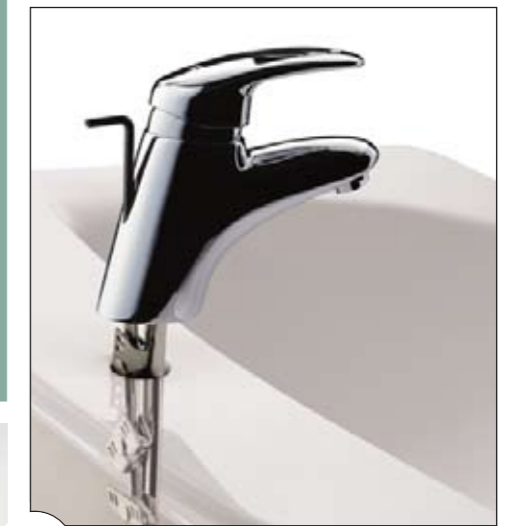


### 4 Brass fittings

Cast brass body fully compliant with European standards.

### 5 Easy maintenance

Removable outlet nozzle for easy maintenance or upgrade.



### 6 Topfix installation

The Academy, Idyll Two, Ceramix, Ceraplan SL, Disc & Duo and Active mixer ranges incorporate this new system which has an innovative patented feature, enabling the mixer to be fitted from above the basin. This avoids the difficulty of tightening the fitting in the awkward space beneath the basin, simplifying and speeding up the installation time. The matching bidet mixer is also available with the easy fit system.

## performance